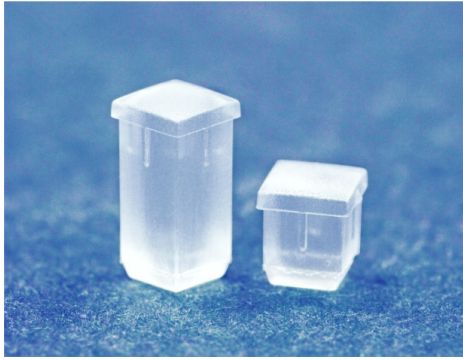


LED导光柱 LED PIPE



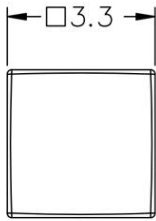
用途：使LED导光于机壳面板上，使光度均匀、柔和。

MATERIAL : PC

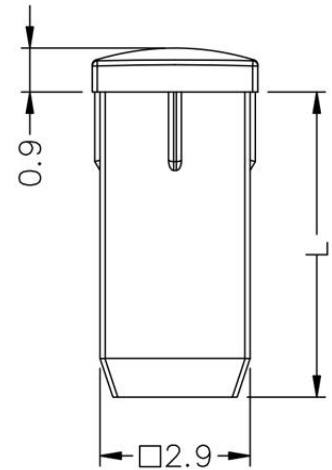
COLOR : TRANSPARENT

UNIT : mm

2

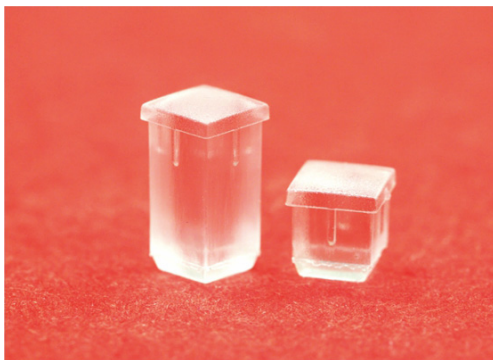


MOUNTING HOLE



PART NO	L	PACKAGE
LEDLP-200	3.0	2000
LEDLP-201	6.0	2000
LEDLP-202	7.0	2000
LEDLP-255	5.0	2000

LED导光柱 LED PIPE



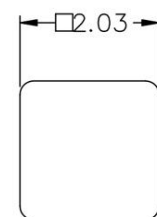
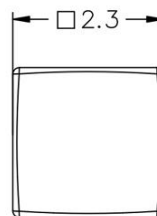
用途：使LED导光于机壳面板上，使光度均匀、柔和。

MATERIAL : PC

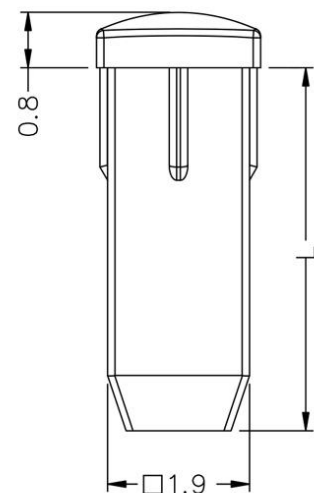
FLAME CLASS : 94V-0,94V-2

COLOR : TRANSPARENT

UNIT : mm



MOUNTING HOLE



PART NO	L	PACKAGE
LEDLP-203	3.0	2000
LEDLP-204	5.0	2000
LEDLP-233	12.7	2000
LEDLP-256	4.8	2000
LEDLP-257	9.0	2000